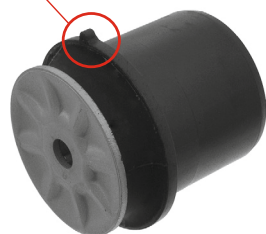
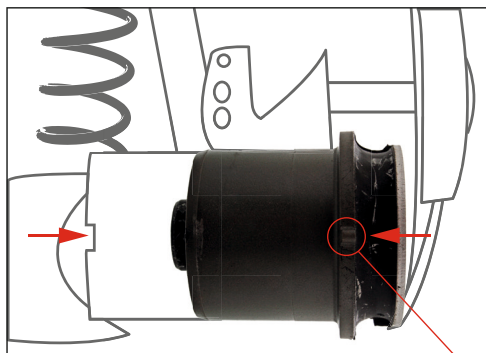


INFO



For more technical information please visit: partsfinder.bilsteingroup.com