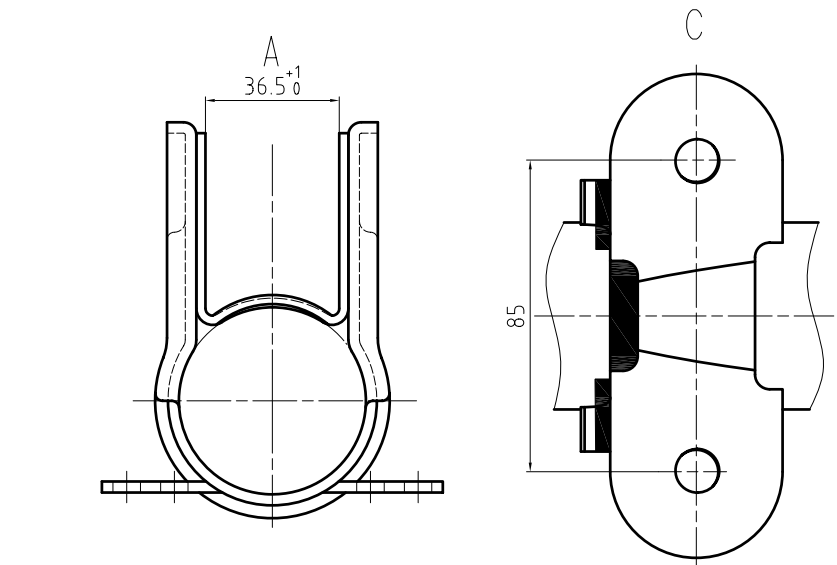
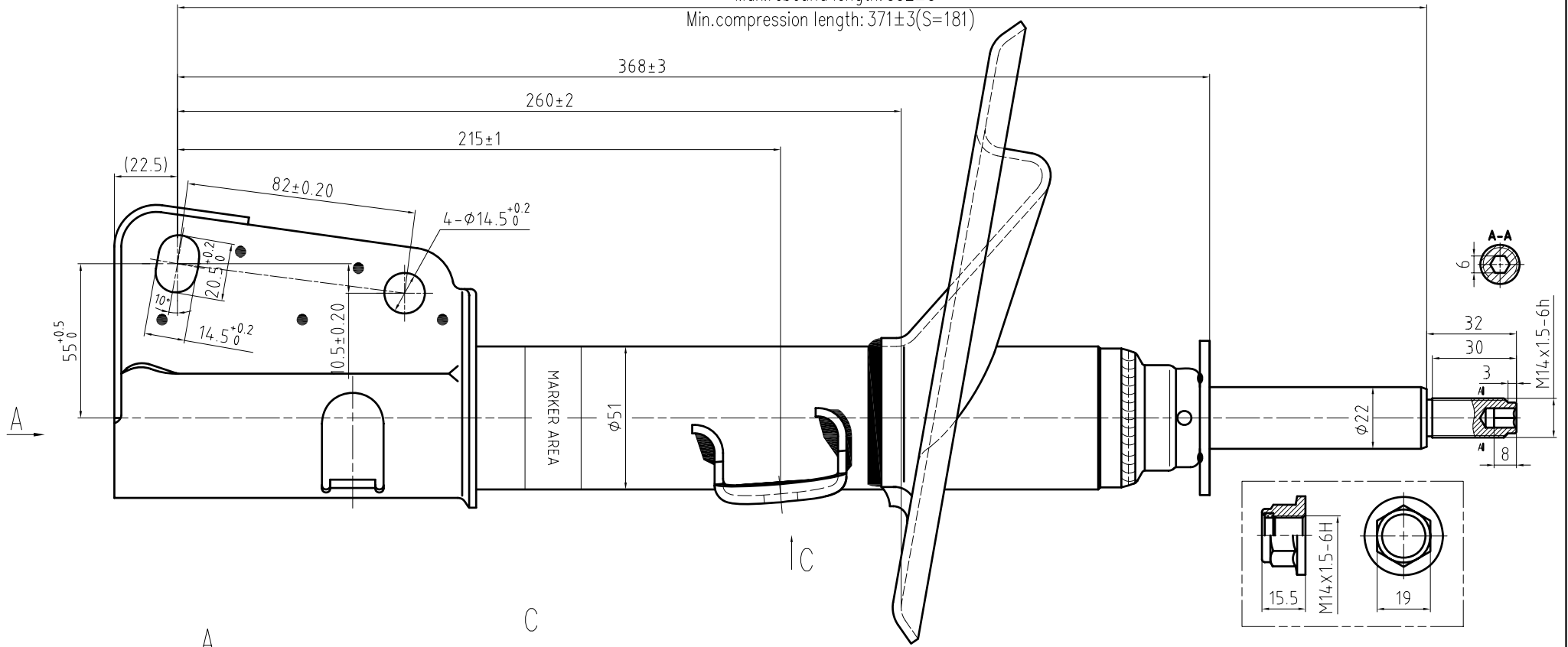



Max.rebound length: 552±3
 Min.compression length: 371±3(S=181)



ADD damping force specification HYDRAULIC

V(m/s)	0.079	0.314	0.520
Rebound(N)	1095	2095	2625
Compression(N)	300	630	925
S(mm)	60		

					WEIGHT (kg)		
					REV.	A	
					SCALE		CUST No. 334335
					FIRST ANGLE PROJECTION		ADD No.
LTR.	REVISIONS	CHK'D	E.C.O	DATE	DRAWING No. DGN4 14 07		
SHOCK ABSORBER DRAWING							
DRAWING	CHECKED	APPROVED	DATE	 浙江正裕工业有限公司 ADD INDUSTRY CO.,LTD			
Long Ye		Yingying Chen	11/09/2017				