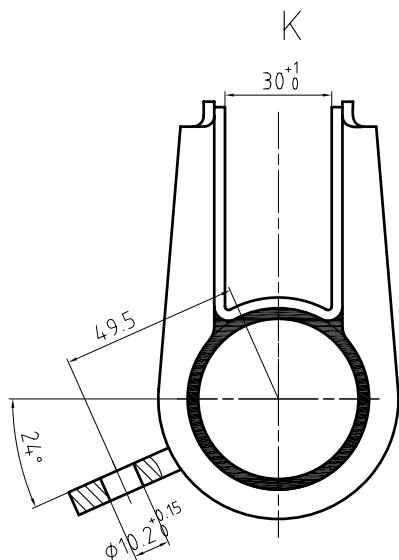
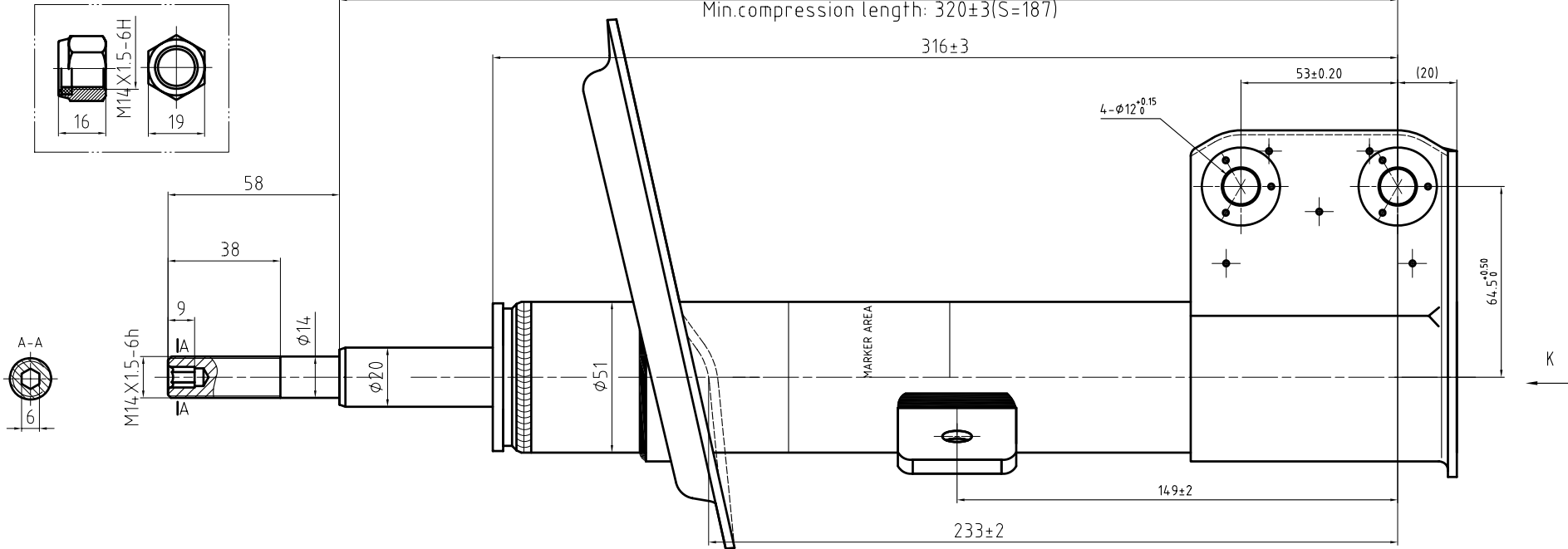



Max.rebound length:507±3
 Min.compression length: 320±3(S=187)



					WEIGHT (kg)		
					REV.	A	
					SCALE		CUST No. 333757
					FIRST ANGLE PROJECTION		ADD No. 484549
LTR.	REVISIONS	CHK'D	E.C.O	DATE			DRAWING No. DHN41549
SHOCK ABSORBER DRAWING							
DRAWING	CHECKED	APPROVED	DATE	 浙江正裕工业有限公司			
Yan Wu		Yingying Chen	03/10/2014				